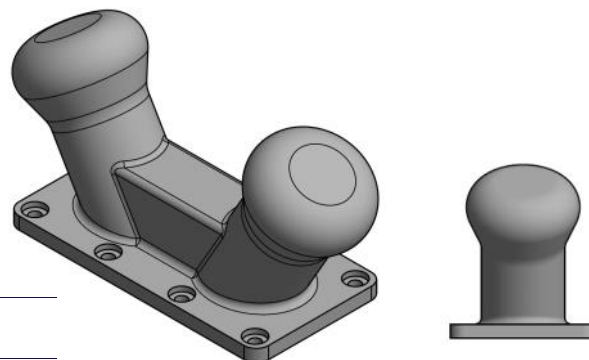


ESC DOUBLE BITT BOLLARD

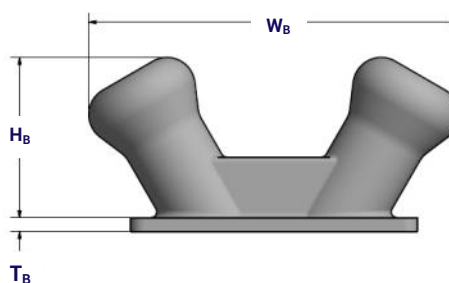
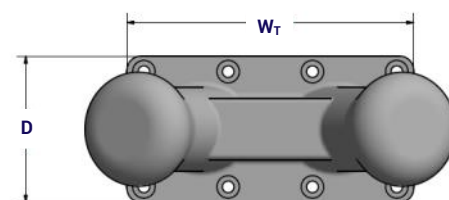
DATASHEET

ESC's latest generation of Double Bitt Bollards provide a compact high strength bollard system that can be utilised in a multitude of configurations

- ✓ General purpose applications up to 200 tons
- ✓ Suitable for mooring multiple lines (subject to bollard capacity)
- ✓ Concrete filled (optional).



Dimension	Units	Bollard Capacity (Tons)						
		20	30	50	75	100	150	200
T_B	mm	20	20	25	40	50	60	60
H_B	mm	300	350	420	510	560	750	840
W_B	mm	680	780	950	1140	1130	1670	1860
W_T	mm	540	610	720	870	1020	1270	1430
D	mm	280	310	360	440	520	640	720
Bolts	-	M20	M22	M30	M36	M42	M48	M56
Bolt Length	mm	300	300	450	500	600	850	1070
Recess	mm	35	35	40	55	65	75	75
Bolts Quantity	-	8	8	8	10	10	10	10



MATERIAL SELECTION

MATERIALS	STANDARD(S)	GRADE (S)
Ductile Cast Iron (for body)	BS EN 1563 ASTM A 536 GB/T 1348	EN-GJS-450 to 500 65-45-12 to 80-55-6 QT450-10 to QT-600-3
Cast Steel (for body)	ASTM A148 ISO 1030 GB/T 11352	65-35 to 80-50 230-450 to 340-570 ZG230-450 to ZG340-640
Anchor Bolts (galvanized)	ISO 898 BS 3692 ASTM	Gr. 5.8 to 8.8 (galvanized) Gr. 5.8 to 8.8 (galvanized) ASTM F1554 Gr. 105 (galvanized)

OTHER DESIGNS

ESC is able to produce bollards of virtually any dimension. Shown here are just the standard range of bollards, but custom design bollards can be manufactured according to the client's design.

Disclaimer

The information provided within this datasheet is for general information purposes only, without any warranty. ESC shall not be held responsible for any errors, omissions or misuse of any of the information provided. ESC disclaims any and all liability resulting from the ability or inability to use the information within this document. Anyone using the information contained does so at their own risk. ESC shall not be held liable for any damages which includes any financial losses or incidental or consequential damages arising from the use of this information. The product range contained is liable to change without notice.

