

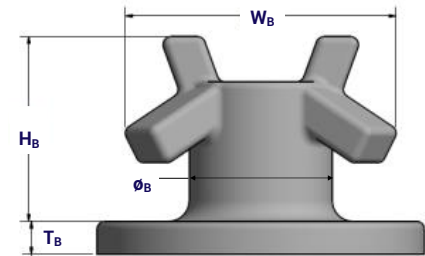
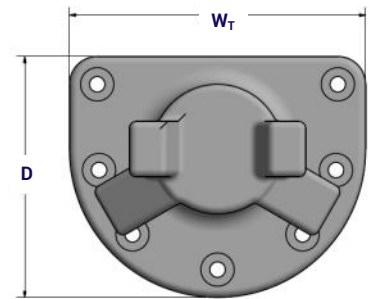
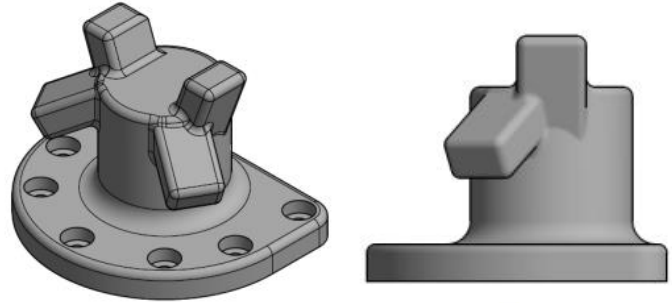
ESC T-HORN MOORING BOLLARD

DATASHEET

ESC's latest generation of T-Horn Bollards provide a compact high strength bollard system that can be utilised in a multitude of configurations

- ✓ General purpose applications up to 250 tons
- ✓ Suitable for steep rope angles.
- ✓ Two lines may share a single bollard (subject to bollard capacity)
- ✓ Mooring Lines: Horizontal Angle $\pm 90^\circ$, Vertical Angle $+60^\circ/-15^\circ$

Dimension	Units	Bollard Capacity (Tons)						
		15	30	50	80	100	150	200
T_B	mm	40	40	50	70	80	90	90
H_B	mm	370	410	500	520	570	585	660
W_B	mm	400	440	600	660	750	850	930
W_T	mm	410	480	640	650	800	920	1000
D	mm	335	405	540	560	650	770	850
ϕ_B	mm	160	200	260	300	350	400	450
Bolts	-	M24	M30	M36	M42	M42	M48	M56
Bolt Length	mm	500	500	500	800	800	1000	1000
Recess	mm	55	55	65	85	95	105	105
Bolts Quantity	-	5	5	5	6	7	7	8



MATERIAL SELECTION

MATERIALS	STANDARD(S)	GRADE (S)
Ductile Cast Iron (for body)	BS EN 1563 ASTM A 536 GB/T 1348	EN-GJS-450 to 500 65-45-12 to 80-55-6 QT450-10 to QT-600-3
Cast Steel (for body)	ASTM A148 ISO 1030 GB/T 11352	65-35 to 80-50 230-450 to 340-570 ZG230-450 to ZG340-640
Anchor Bolts (galvanized)	ISO 898 BS 3692 ASTM	Gr. 5.8 to 8.8 (galvanized) Gr. 5.8 to 8.8 (galvanized) ASTM F1554 Gr. 105 (galvanized)

OTHER DESIGNS

ESC is able to produce bollards of virtually any dimension. Shown here are just the standard range of bollards, but custom design bollards can be manufactured according to the client's design.

Disclaimer

The information provided within this datasheet is for general information purposes only, without any warranty. ESC shall not be held responsible for any errors, omissions or misuse of any of the information provided. ESC disclaims any and all liability resulting from the ability or inability to use the information within this document. Anyone using the information contained does so at their own risk. ESC shall not be held liable for any damages which includes any financial losses or incidental or consequential damages arising from the use of this information. The product range contained is liable to change without notice.

