

M			
L			
K			
J			
I			
H			
G			
F			
E			
D			
C			
B			
A	Initial Revision	01.05.17	JL
Issue	Revision	Date	Init

Notes:
 All dimensions in millimetres
 Flexural Strength of uPVC is 60MPa & Ultimate Tensile Strength of uPVC is 41MPa to ISO 178:2010
 Impact Strength (Izod) is 9.0kJ/m² to ASTM256
 Modulus of Elasticity is 2,620MPa
 Vicat Softening Temperature of 80°C to ASTM 1525

ESC Client:

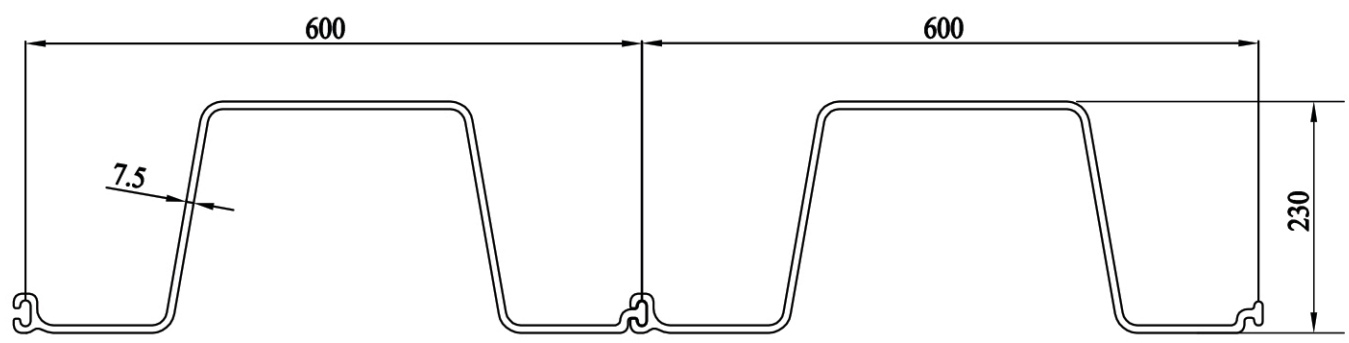
Distributor:
 ESC Group
 7/F Unit 01, Shatin Galleria,
 18-24 Shan Mei Street, Fo Tan, Sha Tin
 New Territories, Hong Kong
 Phone: +852 3956 1868
 Email: escglobal@escpile.com

Project Title:



Drawing Title:
ESC-VU40 uPVC Vinyl Sheet Pile

Stamp: _____ Signature: _____



ESC-VU40

COMBINED PILE PROPERTIES								
SERIES	UNIT WIDTH W [in] (mm)	HEIGHT H [in] (mm)	THICKNESS t [in] (mm)	MASS [lb/ft] (kg/m)	MASS [lb/ft ²] (kg/m ²)	ELASTIC SECTION MODULUS [in ³ /ft] (cm ³ /m)	TOTAL MOMENT OF INERTIA [in ⁴ /ft] (cm ⁴ /m)	ALLOWABLE BENDING MOMENT [lb-in/ft] (kNm/m)
ESC-VU80	23.62 (600)	9.06 (230)	0.295 (7.5)	7.43 (11.05)	4.53 (22.10)	17.1 (920)	77.2 (10,570)	50,700 (18.80)

SECTION DRAWING				
Designed JLY	Drawn JLY	Checked JLY		f
Scale NTS	Date 01.04.2017	Job No.		f