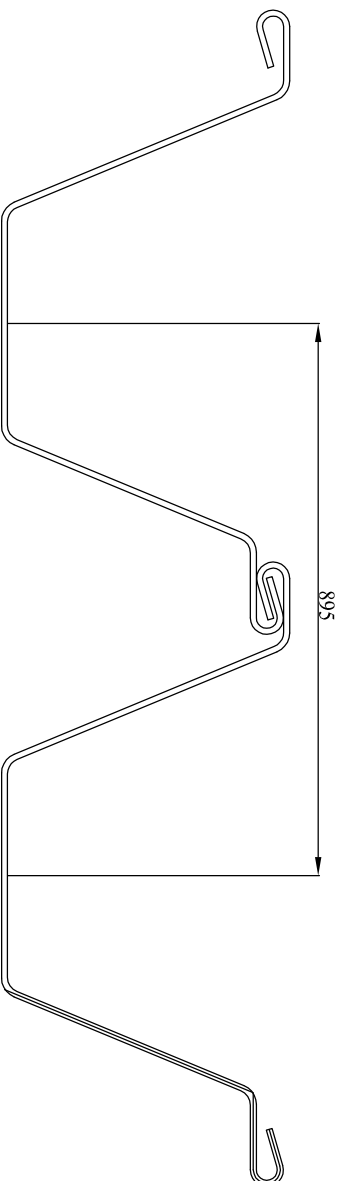


SHEET PILE PROFILE



INTERLOCKED PROFILE

| COMBINED PILE PROPERTIES | | | | | | | | |
|--------------------------|---------------------------------|-----------------------------|--------------------------------|---------------------------|---|---|--|---|
| SERIES | UNIT WIDTH W [in] (mm) | HEIGHT H [in] (mm) | THICKNESS t [in] (mm) | MASS [lb/ft] (kg/m) | MASS [lb/ft ³] (kg/m ³) | TOTAL MODULUS [in ³ /ft] (cm ³ /m) | TOTAL MOMENT OF INERTIA [in ⁴ /ft] (cm ⁴ /m) | Coating Area both side [ft ² /ft] (m ² /m) |
| ESC-C-CFW25 | 35.20 (895) | 18.39 (467) | 0.38 (9.75) | 92.57 (137.8) | 31.62 (154.1) | 46.4 (2,500) | 430.44 (58,970) | 12.24 (3.73) |

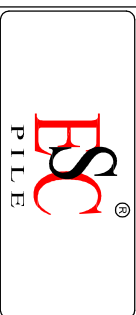
| | | | |
|-------|----------|------|---------|
| C | | | |
| N | | | |
| M | | | |
| L | | | |
| K | | | |
| J | | | |
| I | | | |
| H | | | |
| G | | | |
| F | | | |
| E | | | |
| D | | | |
| C | | | |
| B | | | |
| A | | | |
| Issue | Revision | Date | Initial |
| | 1/3,1,15 | JLY | |

Notes:
All dimensions in millimetres

ESC Client:

Manufacturer:
ESC Group
 Room 209, Dongdu International, No.651
 East 2nd Ring Road,
 Piao Di Hut, Shuanghui, China
 Postcode:200082
 P1 : +86-21-31263901 Fax : +86-21-31263902
 Email : escjinhai@escpile.com

Project Title:



Drawing Title:
**ESC-C-CFW25 SHEET PILE
 PROFILE DRAWING**

Stamp: _____
 Signature: _____

PROFILE DRAWING

| | | | | |
|-----------------|--------------------|----------------|-------------|------|
| Designed JLY | Drawn JLY | Checked CHK | Drawing No. | Rev. |
| Scale NTS | Date 13.11.2015 | Job No. - | | A |