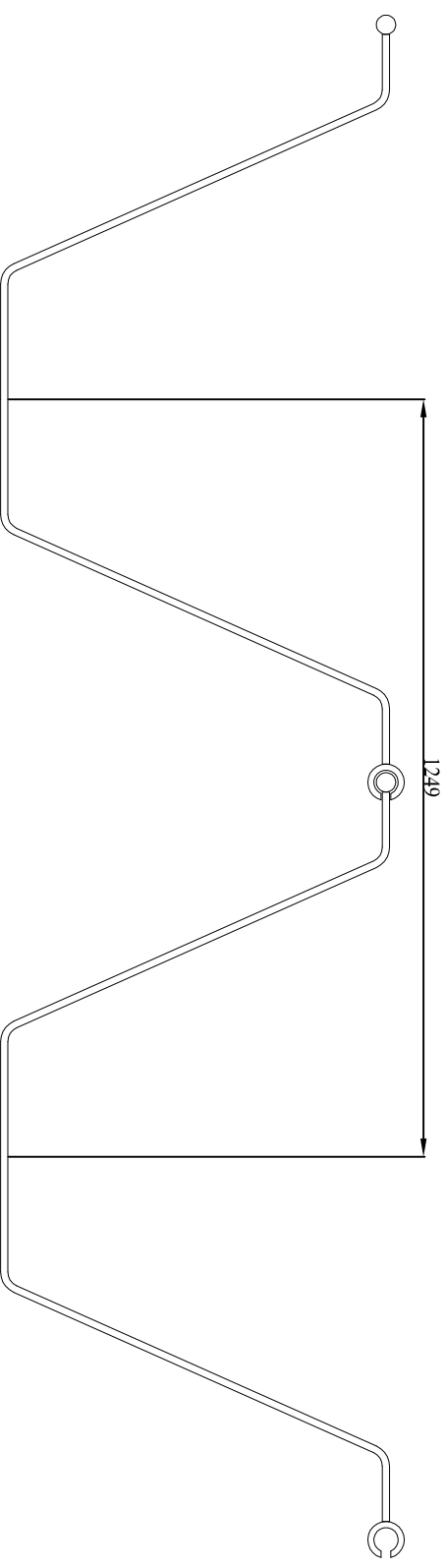


**SHEET PILE PROFILE**



**INTERLOCKED PROFILE**

**COMBINED PILE PROPERTIES**

SERIES	UNIT WIDTH W [in] (mm)	HEIGHT H [in] (mm)	THICKNESS t [in] (mm)	MASS [lb/ft] (kg/m)	MASS [lb/ft²] (kg/m²)	TOTAL MODULUS [in³/ft] (cm³/m)	TOTAL MOMENT OF INERTIA [in⁴/ft] (cm⁴/m)	Coating Area both side [ft²/ft] (m²/m)
ESC-EU38	49.21 (1,250)	26.02 (661)	0.46 (11.8)	137.20 (204.2)	33.50 (148.0)	70.7 (3,200)	884.2 (96,160)	12.75 (3.89)

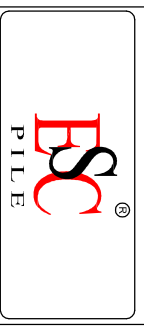
C			
N			
M			
L			
K			
J			
I			
H			
G			
F			
E			
D			
C			
B			
A	Initial Revision	25.08.15	JLY
Issue	Revision	Date	Initial

Notes:  
All dimensions in millimetres

ESC Client:

Manufacturer:  
**ESC Group**  
 Room 309, Dongdu International, No.651  
 East 3rd Ring Road,  
 Piao Di Hut, Shuanghui, Chiba  
 Postcode:200082  
 P1 : +86-21-31263901 Fax : +86-21-31263902  
 Email : escchina@escpile.com

Project Title:



Drawing Title:  
**ESC-EU38 SHEET PILE  
 PROFILE DRAWING**

Stamp: \_\_\_\_\_  
 Signature: \_\_\_\_\_

**PROFILE DRAWING**

Designed JLY	Drawn JLY	Checked CHK	Drawing No.	Rev.
Scale NTS	Date 25.08.2015	Job No.		A