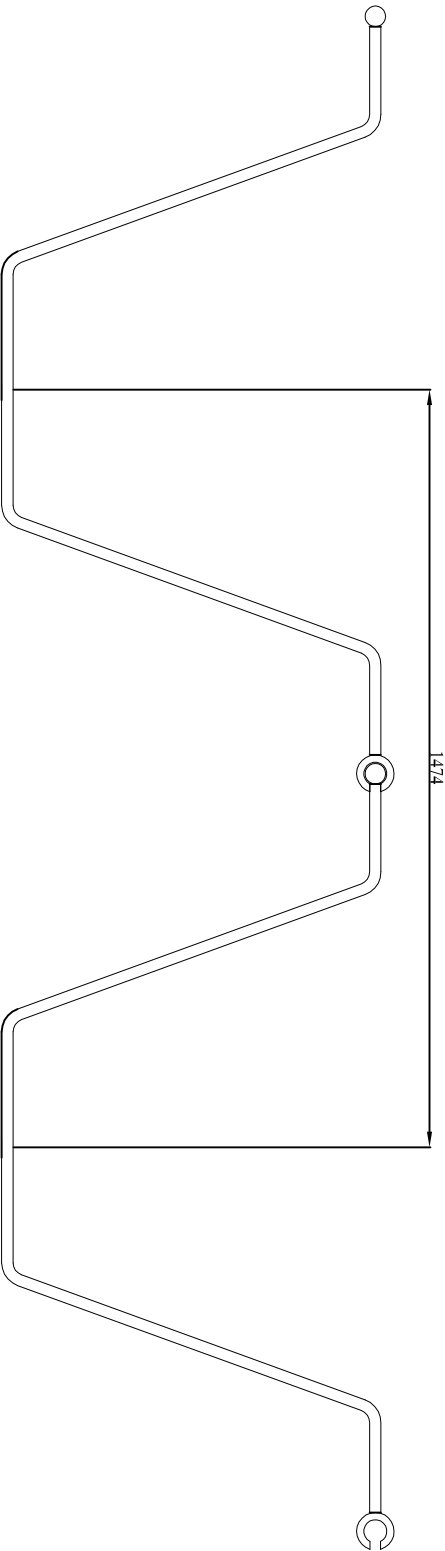


SHEET PILE PROFILE



INTERLOCKED PROFILE

COMBINED PILE PROPERTIES

SERIES	UNIT WIDTH W [in] (mm)	HEIGHT H [in] (mm)	THICKNESS t [in] (mm)	MASS [lb/ft] (kg/m)	MASS [lb/ft²] (kg/m²)	TOTAL MODULUS [in³/ft] (cm³/m)	TOTAL MOMENT OF INERTIA [in⁴/ft] (cm⁴/m)	Coating Area both side [ft²/ft] (m²/m)
ESC-EU80 (1,500)	59.06 (1,500)	30.08 (764)	0.87 (22.0)	298.84 (444.70)	61.97 (302.6)	149.0 (8,070)	2,212.5 (302,130)	11.48 (3.50)

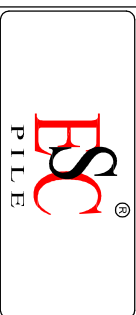
O			
N			
M			
L			
K			
J			
I			
H			
G			
F			
E			
D			
C			
B			
A			
Issue	Revision	25.08.15	JLY
		Date	Initial

Notes:
All dimensions in millimetres

ESC Client:

Manufacturer:
ESC Group
 Room 309, Dongdu International, No.651
 No. 101, Qianjiang Road,
 Puzao District, Shuangfeng, Chiba
 Postcode: 200082
 P1 : +86-21-31263901 Fax : +86-21-31263902
 Email : escchina@escpile.com

Project Title:



Drawing Title:
**ESC-EU80 SHEET PILE
 PROFILE DRAWING**

Stamp: _____
 Signature: _____

PROFILE DRAWING

Designed JLY	Drawn JLY	Checked CHK	Drawing No.	Rev.
Scale NTS	Date 25.08.2015	Job No. -		A